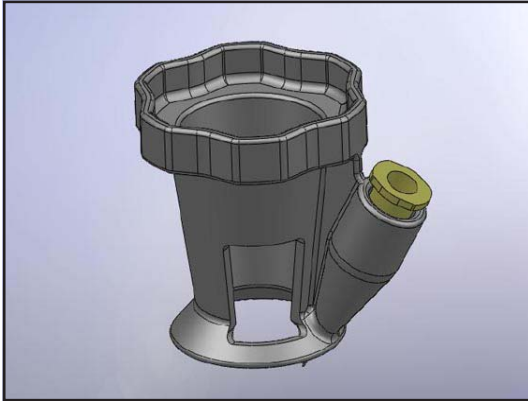


MW-200 Gonçalves InVitria®

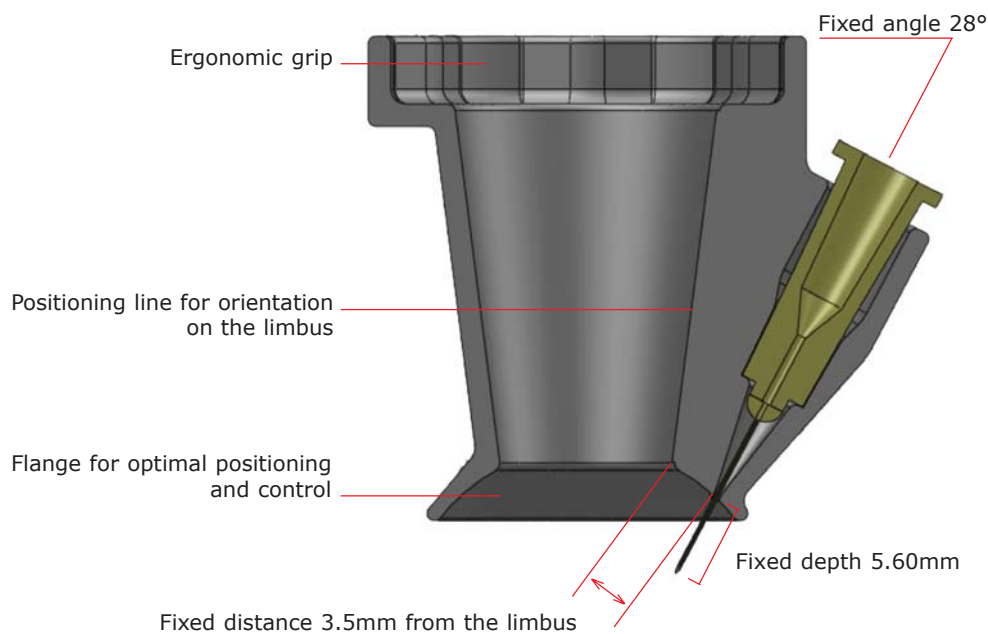


The Gonçalves InVitria® Intra Vitreal Injection Assistant is a disposable device that simplifies intravitreal anti-VEGF injections.

The special design with a fixed injection angle, -position and -depth ensures a predictable procedure.

Key features

- No speculum needed
- No caliper needed
- No pressure plate needed
- Single use
- User friendly
- Patient friendly
- Budget friendly



***The InVitria® was developed in cooperation with dr. Arnaldo Gonçalves from Holland.
Patent pending***